

OA
OPTION AUDIO



USER MANUAL

OA65PRO11

200 Watt 6.5 Inch Pro Series 2-Way Coaxial Speakers

www.optionaudio.com

The Ultimate Sound Experience

Congratulations on purchasing an Option Audio Speaker Pack!

At Option Audio, we like our music LOUD! Manufactured using the latest in cutting edge technology and high quality components, you can trust your Option Audio speakers will sustain optimum sound, while not compromising quality.

We manufacture a large range of In-Car Audio Visual products, Speakers, Subwoofers, Amplifiers, GPS and Reverse Camera Systems. To view our product range, please visit our website www.optionaudio.com.

We appreciate all feedback you may have. Please address this to:

Option Audio
Unit 5, 3-19 University Drive,
Meadowbrook, Qld, 4131
info@optionaudio.com

Ph: 07 3805 5112



AUSSIE OWNED AND
ENGINEERED

Pro Series

If the Pro Series range excites you more than your girlfriend, then we know you're as deadly serious about car audio as we are. Intricately crafted using premium parts, the Pro Series range is sure to impress the most experienced car audio enthusiast. For the ultimate finishing touch, install a Pro Series system to your ride.

If you belong to the Pro Series family - look for the logo...



PRO *Series*

Precautions

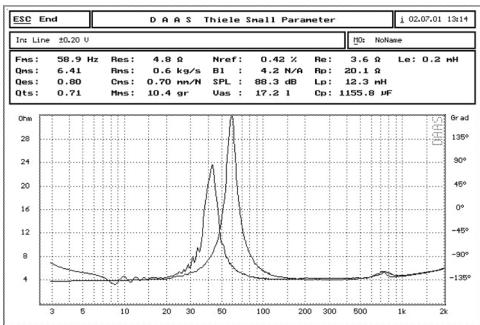
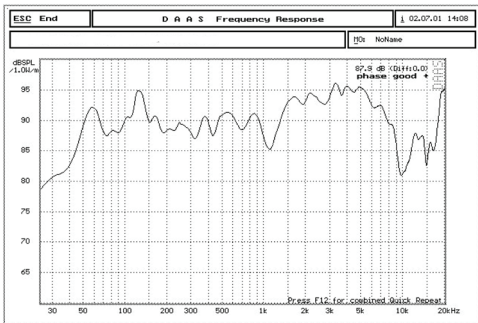
1. Do not try to repair the unit yourself. If you are experiencing any problems with this product, please disconnect from power immediately and inform your nearest distributor. The product is comprised of many electronic components. Attempting to repair or disassemble may cause the product to malfunction and void warranty.
2. Do not use chemical detergents to clean. Use a soft cloth to remove dust or dirt on the unit.
3. Keep the unit away from excessive heat or cold.
4. To reduce the risk of fire or electric shock, do not expose this product to rain or moisture.

Technical Specifications

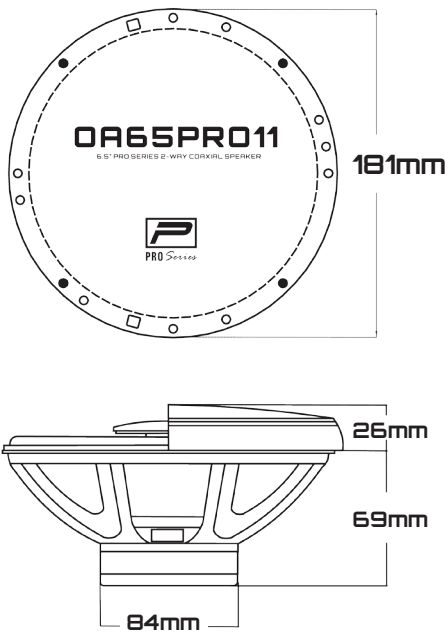
200 Watt 6.5 Inch Pro Series 2-Way Coaxial Speakers
Magnet: 20 OZ
Voice Coil: 30mm
Impedance: 4 Ω
Sensitivity: 89 dB
Frequency: 60 - 20 KHz
Power: 75 WRMS
Max Power: 200 Watts
Mounting Depth: 69 mm

Disclaimer: Exceeding the maximum power detailed above may cause this product to malfunction and void warranty. Please refer to page 5 for compatible products or consult your Option Audio retailer.

Speaker Parameters



Physical Dimensions



Compatible Products

		AMPLIFIERS						
		OAK75	OAK600	OAK1200	OAC160	OAH500	OAX2000	OAX3500
SPEAKERS	OA40ST11							
	OA60ST11							
	OA65ST11							
	OA69ST11							
	OA65PR011							
	OA66PR011							
	OA69PR011							
SUBWOOFERS	OA12SL11							
	OA12ST11							
	OA12PR011							
	OA12XTM11							

Warranty

Option Audio Pty Ltd, (OA) warrant all OA product to be free of defects in material and workmanship for a period of (1) year from the date of original purchase provided they are purchased from an authorized OA reseller in Australia. However, the effective warranty period will be two (2) years if the products were purchased from and installed by an Authorised OA Reseller. Do not try to repair the unit yourself. If you are experiencing any problems with this product, please turn power off immediately and inform your nearest retailer. The product is comprised of many electronic components. Attempting to repair or disassemble may cause the product to malfunction and void warranty.

WHAT IS COVERED - Parts and labour to effect or, at the sole discretion of OA, replace of either any malfunction or defective part(s) to or the entire system should the system or any component part(s) there of ail to perform as designed.

WHAT IS NOT COVERED - Installation or setup and repair or replacement of the system or any parts thereof which, in OA judgment, fail or become damaged as a result of negligence, improper use, abuse, unauthorised modification or service, improper or inadequate packaging during shipment, installation by a non-authorized dealer, accident, or use for any purpose other than those for which this product was originally intended, or where the model's serial number has been removed, altered or defaced. The warranty is non transferable. Option Audio will not accept consequential damages as a result of product failure.

WHO IS COVERED - Original purchaser as long as they reside in an area which an OA reseller can be provided with the original date of purchase (e.g. store receipt from an OA retailer). Product returned for repair/service must be properly packaged and clearly marked with the Return Authorization (RA) number issued by OA Reseller. If the RA number is not clearly marked or the package or no RA number was issued by OA Reseller the RA will be returned to the OA reseller. All warranty enquires will be handled through the reseller and not directly with the customer.



OPTION AUDIO

www.optionaudio.com